

SUPERIAL SU

A selection of painting options, between RAL palette (Qualicoat 1518), wood patterns Aliplast Wood Colour Effect (Qualideco PL-0001), anodized finish, also in bi-colour.

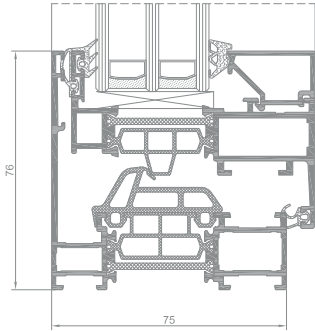
A three-chamber window system with thermal insulation designed for windows with a hidden sash, invisible from the outside.

The possibility of using double or triple glazing

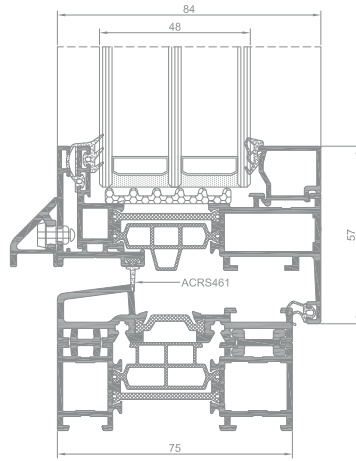
Thermal insulation under the glass which improves the thermal insulation of the section

A specially designed shape of the frame hides the full height of the sash profile

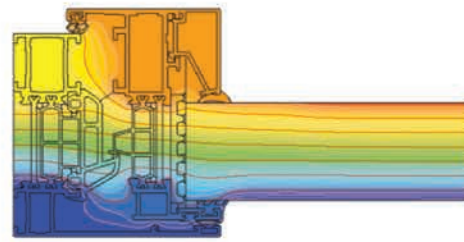
SP SU



SP SU window section



SP SU i threshold section



distribution of isotherms for frame with sash composition in window system SP SU i (SP911 + SP921)

SUPERIAL hidden sash

SUPERIAL SU

- | A three-chamber window system with thermal insulation designed for designing windows with a hidden sash, invisible from the outside.
- | A specially designed shape of the frame hides the full height of the sash profile.
- | A wide range of glazing allows using all types of single and double cavity, acoustic and anti-burglary glass panels.
- | Profile drainage in two variants: traditional and hidden.
- | An available option of a low threshold in a single wing balcony door (in addition, structural tightness was improved thanks to application of ACSR461 gasket).
- | The option of bending profiles (detailed specification of profiles and detailed technical parameters of profile bending process are available in the customer area of the website www.aliplast.pl).
- | The hidden sash system is the system preferred by designers, as it allows "hiding" windows in aluminium and glass structure. Thanks to the application of this solution opened and fixed window segments look identical from the outside.
- | The system SP SU is also available in the variant with improved thermal insulation power. Which was achieved by applying thermal insulation under the glass panel.
- | A wide range of colours available - RAL palette, structural colours, Aliplast Wood Colour Effect, anodized, bi-colour.

TECHNICAL SPECIFICATION

SYSTEM	MATERIAL	DEPTH OF FRAME	DEPTH OF LEAF	GLAZING RANGE	TYPE OF WINDOWS	TYPE OF DOORS
SP SU	aluminium / polyamide	75 mm	78 mm	14-51 mm	hidden sash	_____
SP SU i	aluminium / polyamide	75 mm	78 mm	14-51 mm	hidden sash	_____

PERFORMANCE

SYSTEM	THERMAL INSULATION Uf *	AIR PERMEABILITY	WINDLOAD RESISTANCE	WATERTIGHTNESS
SP SU	Uf from 1,48 W/m ² K	Class 4; EN 12207	Class C5/B5; EN 12210	Class E900 (900Pa)
SP SU i	Uf from 1,12 W/m ² K	Class 4; EN 12207	Class C5/B5; EN 12210	Class E900 (900Pa)

* Thermal insulation is dependent on a combination of profiles and thickness of the filling.